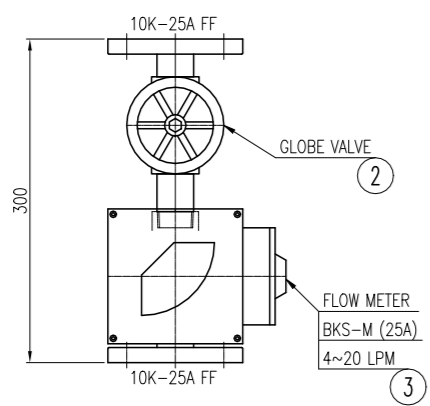
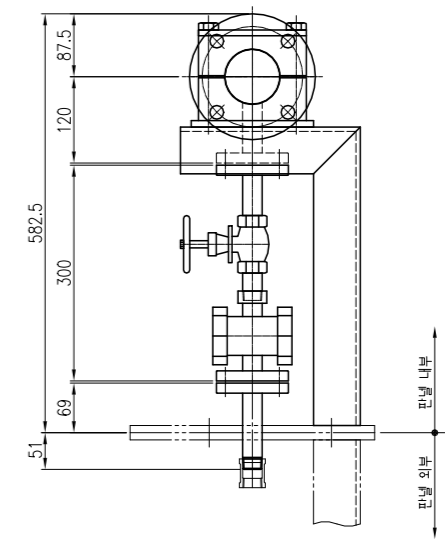
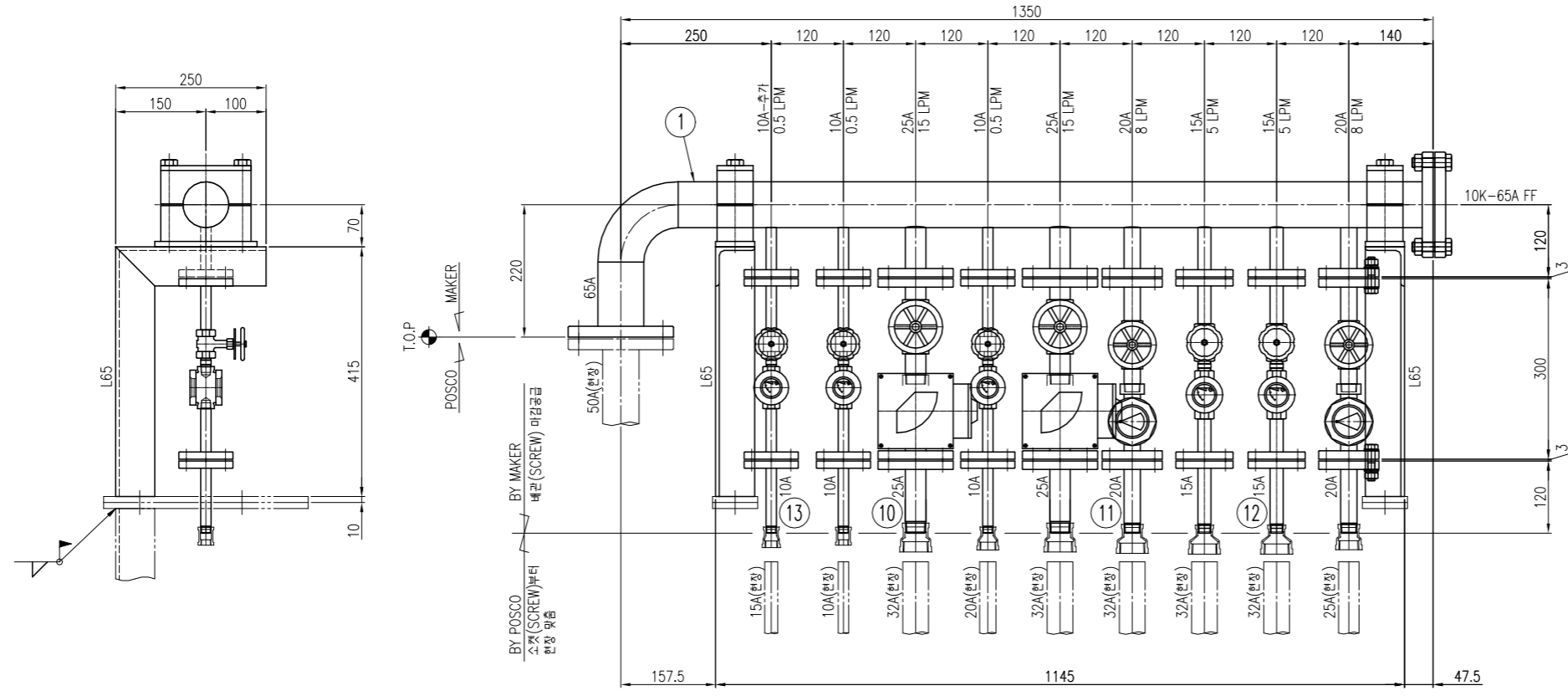


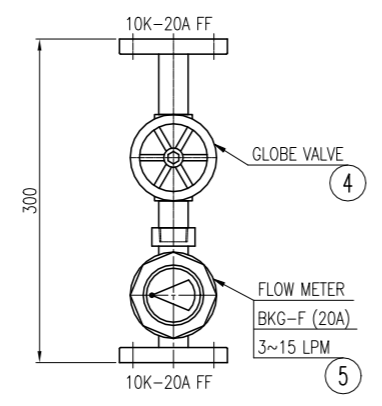
지시의 용접기호	지시의 모서리부분	표면 거칠기	표면 거칠기																
		R_a	25/√	12.5/√	6.3/√	3.2/√	1.6/√	0.8/√	0.4/√	0.2/√	0.1/√								
R_{max}			100S	50S	25S	12.5S	6.3S	3.2S	1.6S	0.8S	0.4S								
단면도																			

NO.	DATE	REVISION & DESCRIPTION	SIGNATURE	
△			REVIEWED	CHECKED

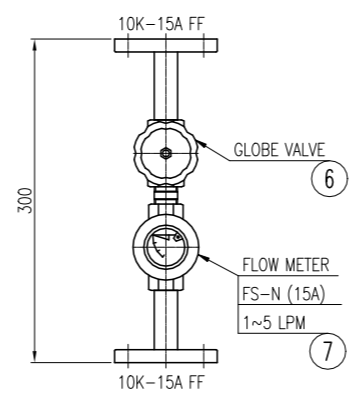
(A) (DRIVE SIDE)



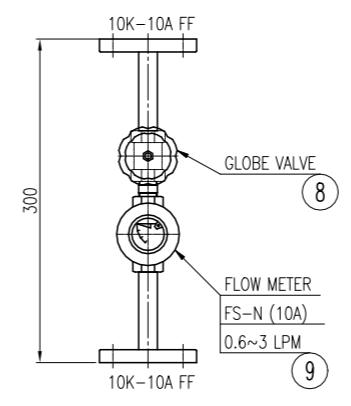
DETAIL OF 25A (S=1.5:1)



DETAIL OF 20A (S=1.5:1)



DETAIL OF 15A (S=1.5:1)



DETAIL OF 10A (S=1.5:1)

- NOTES.
1. 기밀 시험 완료 후 시험성적서를 제출 할 것
 2. 압력 시험은 설계압력의 1.5배로 실시 할 것

NO.	DESCRIPTION	MAT.(KS)	UNIT	TOTAL QUANTITY	PERUNIT WEIGHT(kg)	TOTAL WEIGHT(kg)	REMARK'S
14	CASING	W1300xH620xD400	SET	1			
13	PIPE SPOOL	10AxS40	STS304	EA	3		
12	PIPE SPOOL	15AxS40	STS304	EA	2		
11	PIPE SPOOL	20AxS40	STS304	EA	2		
10	PIPE SPOOL	25AxS40	STS304	EA	2		
9	FLOW METER	10A	PUR	EA	3		FS-N (10A)
8	GLOBE VALVE	10Kx10A	PUR	EA	3		
7	FLOW METER	15A	PUR	EA	2		FS-N (15A)
6	GLOBE VALVE	10Kx15A	PUR	EA	2		
5	FLOW METER	20A	PUR	EA	2		BKG-F (20A)
4	GLOBE VALVE	10Kx20A	PUR	EA	2		
3	FLOW METER	25A	PUR	EA	2		BKS-M (25A)
2	GLOBE VALVE	10Kx25A	PUR	EA	2		
1	HEADER	100Ax1350L	STS304	EA	1		
A	LUB SYSTEM FLOW METER & CASING		SET	1		100	(DRIVE SIDE)

SGHITEC										
TITLE		1월연 PLANT VSB LUB SYSTEM FLOW METER & CASING				EQUIPMENT				
1RM FACILITY		MODEL : SG-200709-CSH				SHEET No.				
(CUSTOMER)	SIGNATURE	DRAWN	CHECKED	REVIEWED	APPROVED	(SUPPLIER)	DRAWN	CHECKED	REVIEWED	APPROVED
DATE						DATE				
							IM.S.W	JUNG.J.G	JUNG.J.G	JUNG.H.S
							26.02.12	26.02.12	26.02.12	26.02.12
DWG. NO. 01SG-20260212-1										

