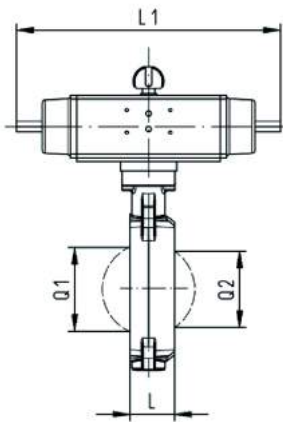
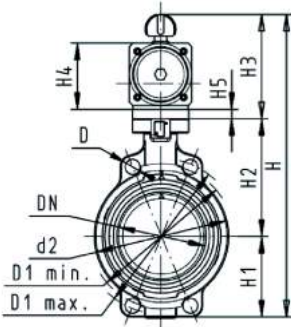


Butterfly valves pneumatic

Butterfly valve type 240 PVC-C FC (Fail safe to close) Without manual override

Model:

- Control range 90°<
- Overall length according to EN 558, ISO 5752
- Connecting dimension: ISO 7005 PN 10, EN 1092 PN 10, DIN 2501 PN 10, ANSI/ASME B 16.5 Class 150, BS 1560: 1989, BS 4504, JIS B 2220



d [mm]	Size [inch]	DN [mm]	PN [bar]	kv-value (Δp=1 bar) [l/min]	EPDM Code	SP	Weight [kg]	FPM Code	SP	Weight [kg]
63	2	50	10	1470	199 240 162	1	3.218	199 240 182	1	3.218
75	2 ½	65	10	2200	199 240 163	1	3.341	199 240 183	1	3.352
90	3	80	10	3000	199 240 164	1	3.524	199 240 184	1	3.531
110	4	100	10	6500	199 240 165	1	5.271	199 240 185	1	5.371
140	5	125	10	11500	199 240 166	1	7.169	199 240 186	1	5.943
160	6	150	10	16600	199 240 167	1	10.184	199 240 187	1	10.285
225	8	200	10	39600	199 240 168	1	14.466	199 240 188	1	14.494

d [mm]	PTFE Code
63	199 240 642
75	199 240 643
90	199 240 644
110	199 240 645
140	199 240 646
160	199 240 647
225	199 240 648

d [mm]	Actuator unit type	d2 [mm]	D [mm]	D1 min. [mm]	D1 max. [mm]	H [mm]	H1 [mm]	H2 [mm]	H3 [mm]	H4 [mm]	H5 [mm]	L [mm]	L1 [mm]
63	PA-30 FC	104	19	120	125	327	77	134	117	70	15	45	276
75	PA-30 FC	115	19	140	145	340	83	140	117	70	15	46	276
90	PA-35 FC	131	19	150	160	361	89	146	126	78	15	49	326
110	PA-40 FC	161	19	175	191	400	104	167	129	86		56	370
140	PA-45 FC	187	23	210	216	436	117	181	139	96		64	411
160	PA-50 FC	215	24	241	241	468	130	189	149	106		72	423
225	PA-55 FC	267	23	290	295	529	158	210	161	118		73	452

d [mm]	L2 [mm]	Q1 [mm]	Q2 [mm]
63	65	40	
75	65	54	35
90	72	67	50
110	80	88	74
140	90	113	97
160	100	139	123
225	112	178	169

PF 3 39 644 033

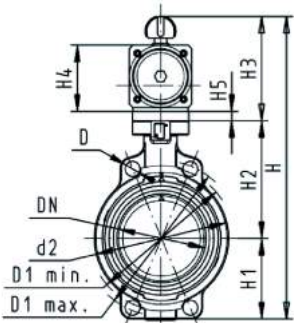


Butterfly valve type 240 PVC-C FO (Fail safe to open) Without manual override

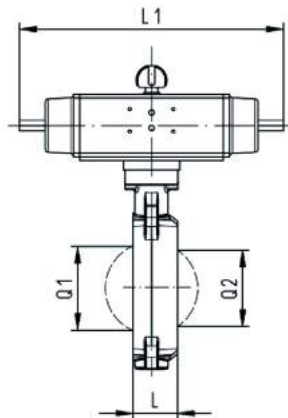
Model:

- Control range 90°<
- Overall length according to EN 558, ISO 5752
- Connecting dimension: ISO 7005 PN 10, EN 1092 PN 10, DIN 2501 PN 10, ANSI/ASME B 16.5 Class 150, BS 1560: 1989, BS 4504, JIS B 2220

d [mm]	Size [inch]	DN [mm]	PN [bar]	kv-val- ue ($\Delta p=1$ bar) [l/min]	EPDM Code	SP	Weight [kg]	FPM Code	SP	Weight [kg]
63	2	50	10	1470	199 240 202	1	3.439	199 240 222	1	3.443
75	2 ½	65	10	2200	199 240 203	1	3.341	199 240 223	1	3.352
90	3	80	10	3000	199 240 204	1	3.524	199 240 224	1	3.531
110	4	100	10	6500	199 240 205	1	5.357	199 240 225	1	5.371
140	5	125	10	11500	199 240 206	1	7.169	199 240 226	1	7.187
160	6	150	10	16600	199 240 207	1	10.262	199 240 227	1	10.285
225	8	200	10	39600	199 240 208	1	14.466	199 240 228	1	14.494



d [mm]	PTFE Code
63	199 240 662
75	199 240 663
90	199 240 664
110	199 240 665
140	199 240 666
160	199 240 667
225	199 240 668



d [mm]	Actuator unit type	d2 [mm]	D [mm]	D1 min. [mm]	D1 max. [mm]	H [mm]	H1 [mm]	H2 [mm]	H3 [mm]	H4 [mm]	H5 [mm]	L [mm]	L1 [mm]
63	PA-30 FO	104	19	120	125	327	77	134	117	70	15	45	276
75	PA-30 FO	115	19	140	145	340	83	140	117	70	15	46	276
90	PA-35 FO	131	19	150	160	361	89	146	126	78	15	49	326
110	PA-40 FO	161	19	175	191	400	104	167	129	86		56	370
140	PA-45 FO	187	23	210	216	436	117	181	139	96		64	411
160	PA-50 FO	215	24	241	241	468	130	189	149	106		72	423
225	PA-55 FO	267	23	290	295	529	158	210	161	118		73	452

d [mm]	L2 [mm]	Q1 [mm]	Q2 [mm]
63	65	40	
75	65	54	35
90	72	67	50
110	80	88	74
140	90	113	97
160	100	139	123
225	112	178	169

PF 3 39 644 033

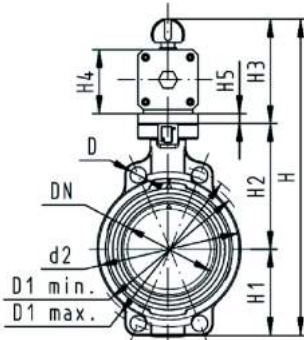


Butterfly valve type 240 PVC-C DA (Double acting) Without manual override

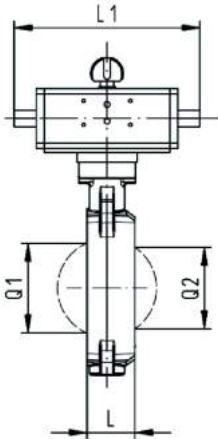
Model:

- Control range 90°<
- Overall length according to EN 558, ISO 5752
- Connecting dimension: ISO 7005 PN 10, EN 1092 PN 10, DIN 2501 PN 10, ANSI/ASME B 16.5 Class 150, BS 1560: 1989, BS 4504, JIS B 2220

d [mm]	Size [inch]	DN [mm]	PN [bar]	kv-val- ue ($\Delta p=1$ bar) [l/min]	EPDM Code	SP	Weight [kg]	FPM Code	SP	Weight [kg]
63	2	50	10	1470	199 240 242	1	5.184	199 240 262	1	2.293
75	2 ½	65	10	2200	199 240 243	1	2.191	199 240 263	1	2.202
90	3	80	10	3000	199 240 244	1	2.884	199 240 264	1	2.862
110	4	100	10	6500	199 240 245	1	3.609	199 240 265	1	3.623
140	5	125	10	11500	199 240 246	1	4.419	199 240 266	1	4.500
160	6	150	10	16600	199 240 247	1	6.741	199 240 267	1	6.764
225	8	200	10	39600	199 240 248	1	8.466	199 240 268	1	8.494



d [mm]	PTFE Code
63	199 240 682
75	199 240 683
90	199 240 684
110	199 240 685
140	199 240 686
160	199 240 687
225	199 240 688



d [mm]	Actuator unit type	d2 [mm]	D [mm]	D1 min. [mm]	D1 max. [mm]	H [mm]	H1 [mm]	H2 [mm]	H3 [mm]	H4 [mm]	H5 [mm]	L [mm]	L1 [mm]
63	PA-35 DA	104	19	120	125	317	77	134	107	60	15	45	177
75	PA-35 DA	115	19	140	145	330	83	140	107	60	15	46	177
90	PA-40 DA	131	19	150	160	348	89	146	113	66	15	49	190
110	PA-45 DA	161	19	175	191	372	104	167	102	71		56	235
140	PA-45 DA	187	23	210	216	408	117	181	111	78		64	235
160	PA-55 DA	215	24	241	241	448	130	189	129	86		72	279
225	PA-55 DA	267	23	290	295	507	158	210	139	96		73	279

d [mm]	L2 [mm]	Q1 [mm]	Q2 [mm]
63	55	40	
75	55	54	35
90	60	67	50
110	65	88	74
140	72	113	97
160	80	139	123
225	90	178	169

PF 3 39 644 031