

1

2

3

4

5

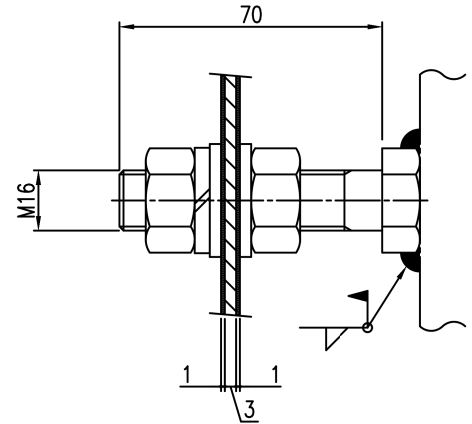
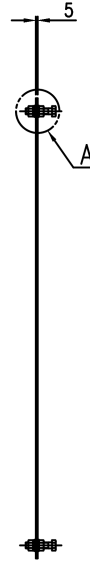
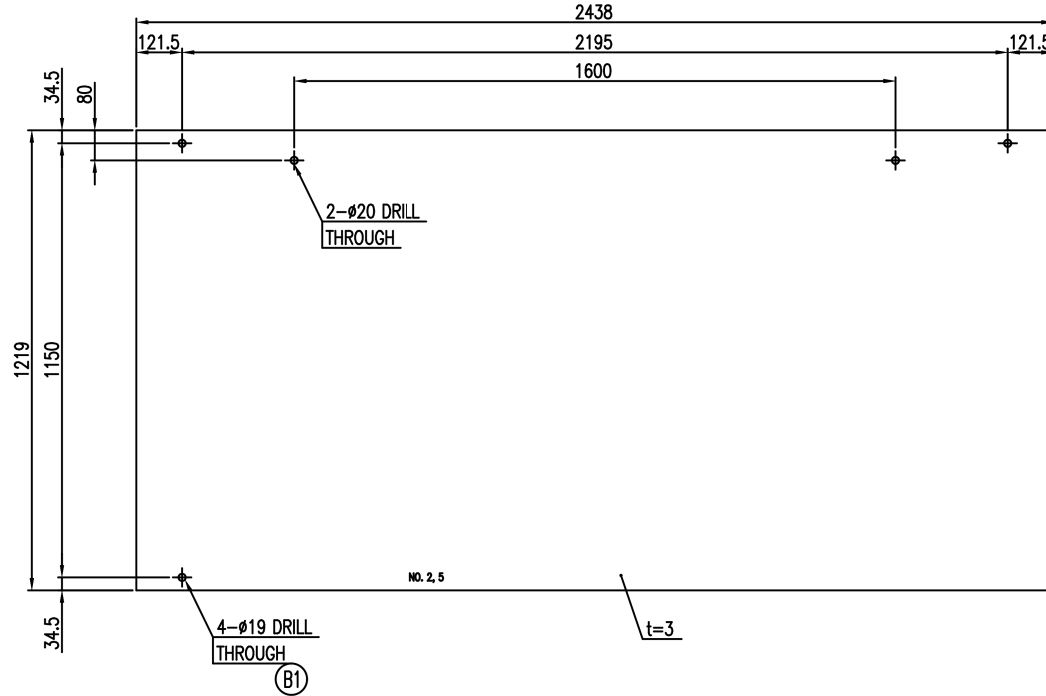
A

B

C

D

① ✓
 내열도료 KORUND KP-01
 전면,후면 각각 1mm 코팅



DETAIL A
 (S=2:1)

REMARK'S

1. 전면,후면 각각 1mm 코팅

B1	HEX. BOLT, 2N, 2PW, SW, M16x70L	10.9	EA	4	0.2	0.8
1	MANIFOLD BLOCK t3x2438x1219	SS275	EA	1		70
NO.	DESCRIPTION	MAT.(KS)	UNIT	TOTAL QUANTITY	PERUNIT	TOTAL WEIGHT

TITLE						
Model ; TKP-01-2438						
NO.	DATE	REVISION & DISCRPTION	DRAWN	CHECKED	REVIEWED	APPROVED
YUKEN YUKEN KOREA CO.,LTD.						

DESIGN TEAM	PROJECTION METHOD	THIRD ANGLE PROJECTION	SCALE	1/10
CHK'D	MATERIAL	JOB NO.	WORKS	
CHK'D	CLIENT DOC. NO.	DWG NO.	REV.	

1

2

3

4

5