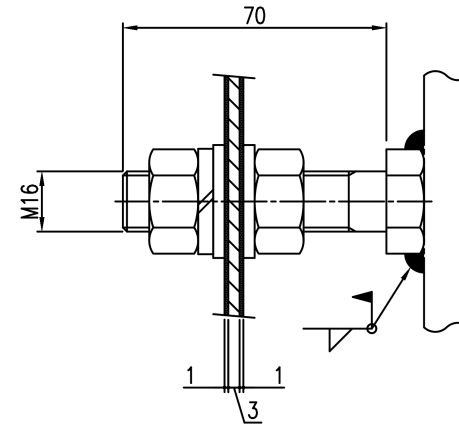
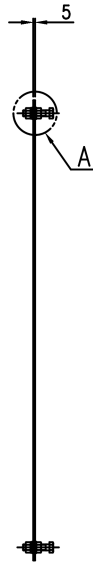
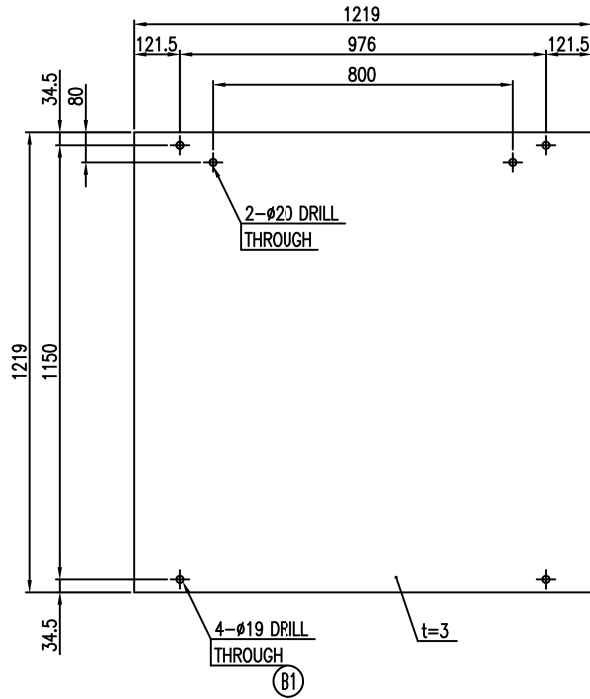


① ✓
 니열도류 KORUND KP-01
 전면,후면 각각 1mm 코팅



DETAIL A
 (S=2:1)

REMARK'S

1. 전면,후면 각각 1mm 코팅

B1	HEX. BOLT, 2N, 2PW, SW, M16x70L	10.9	EA	4	0.2	0.8
1	MANIFOLD BLOCK t3x1219x1219	SS275	EA	1		35
NO.	DESCRIPTION	MAT.(KS)	UNIT	TOTAL QUANTITY	PERUNIT	TOTAL WEIGHT

TITLE									
Model ; TKP-01-1219									
DESIGN TEAM					PROJECTION METHOD		THIRD ANGLE PROJECTION		SCALE
					1/10				
NO.	DATE	REVISION & DISCRPTION	DRAWN	CHECKED	REVIEWED	APPROVED	DRAWN	CHK'D	WORKS
							MATERIAL		JOB NO.
							CLIENT DOC. NO.		DWG NO.
									REV.

YUKEN YUKEN KOREA CO.,LTD.