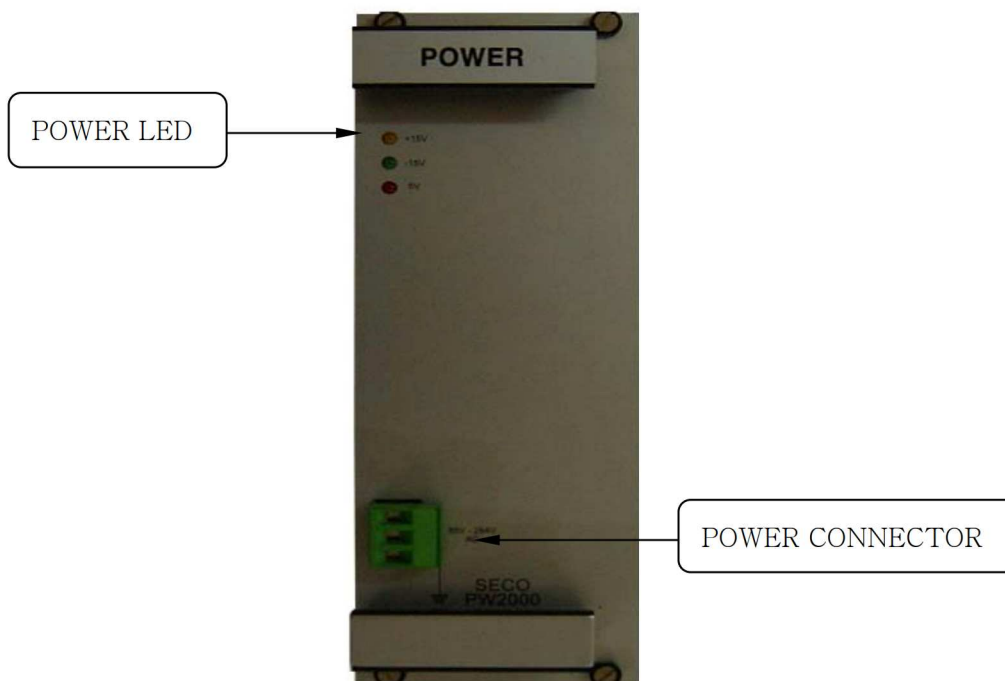


PWR CARD(SECO-PW2000)

SECO 2000Series

Model No. : SECO PW2000

I . UNIT DESCRIPTION



PWR CARD(SECO-PW2000)

SECO 2000Series

II. Specifications

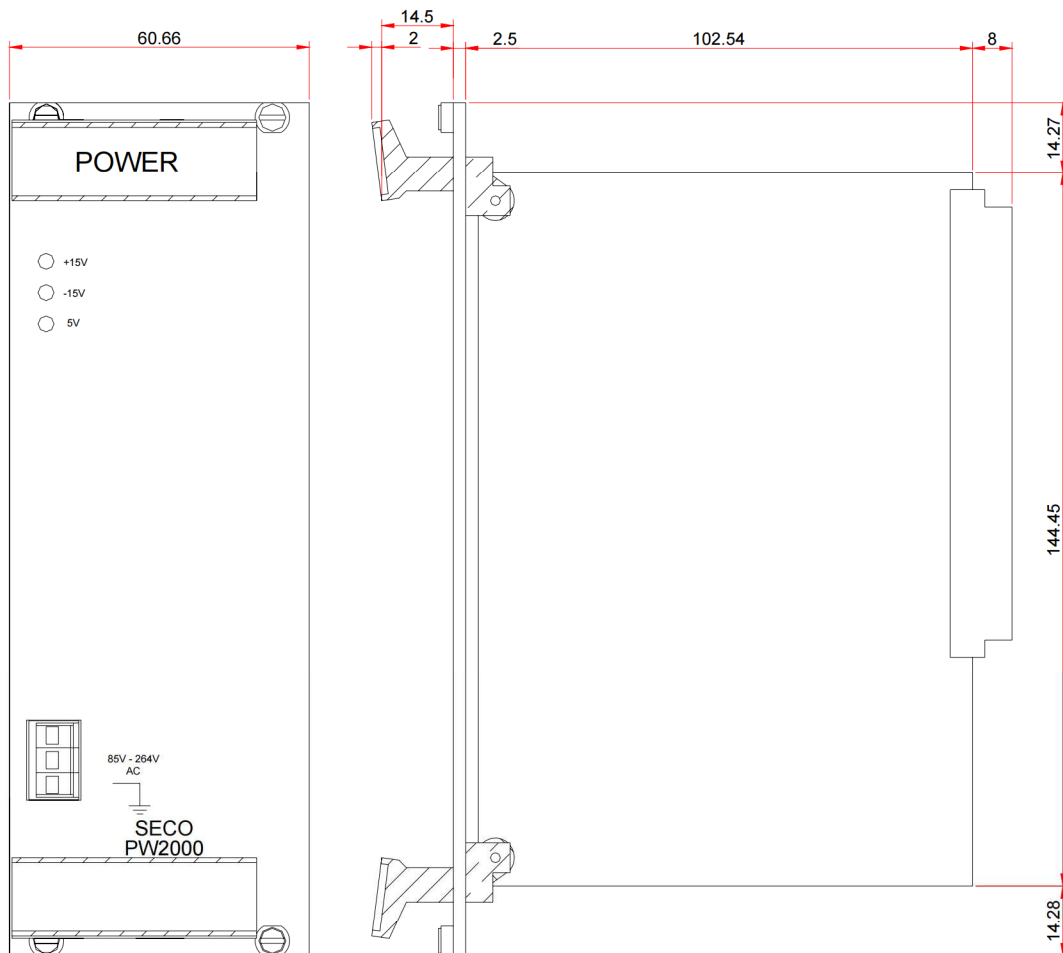
Model: SECO-PW2000

Switching Mode Power Supply

Input: AC85~264V

Output: 5V/3A, +15V/0.8A, -15V/0.2V

III. UNIT DIMENSION



PWR CARD(SECO-PW2000)

SECO 2000Series

IV. Notes

SGHITEC	Address: 19, Namsan 4-gil, Gwangyang-si, Jeollanam-do, 57722, Korea
	Tel : (061)791-4475 Fax: (061)792-4024
URL	http://www.sgtec.org
E-mail	sgtec@sgtec.org