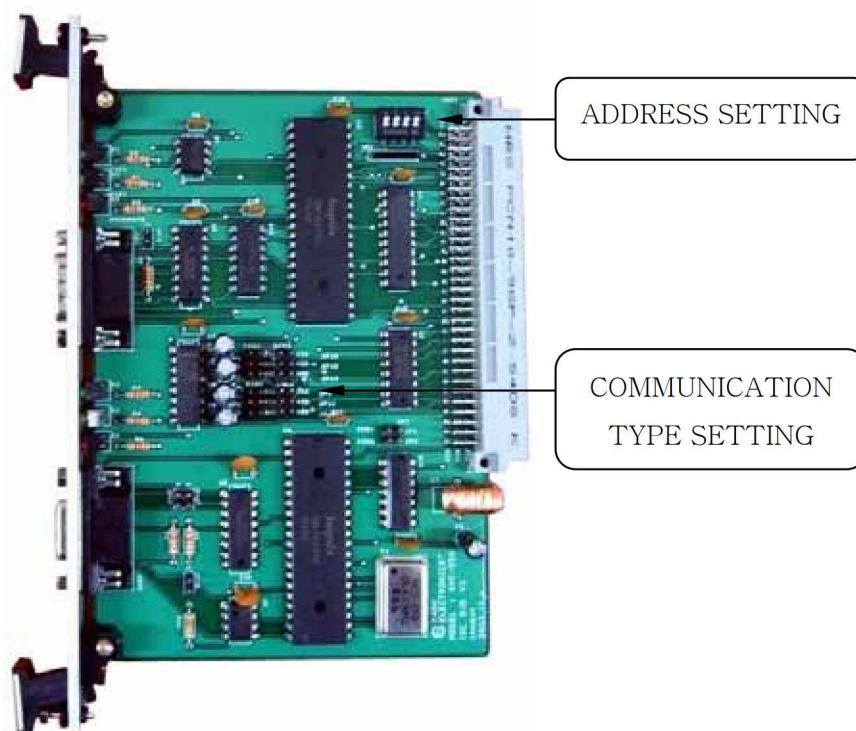
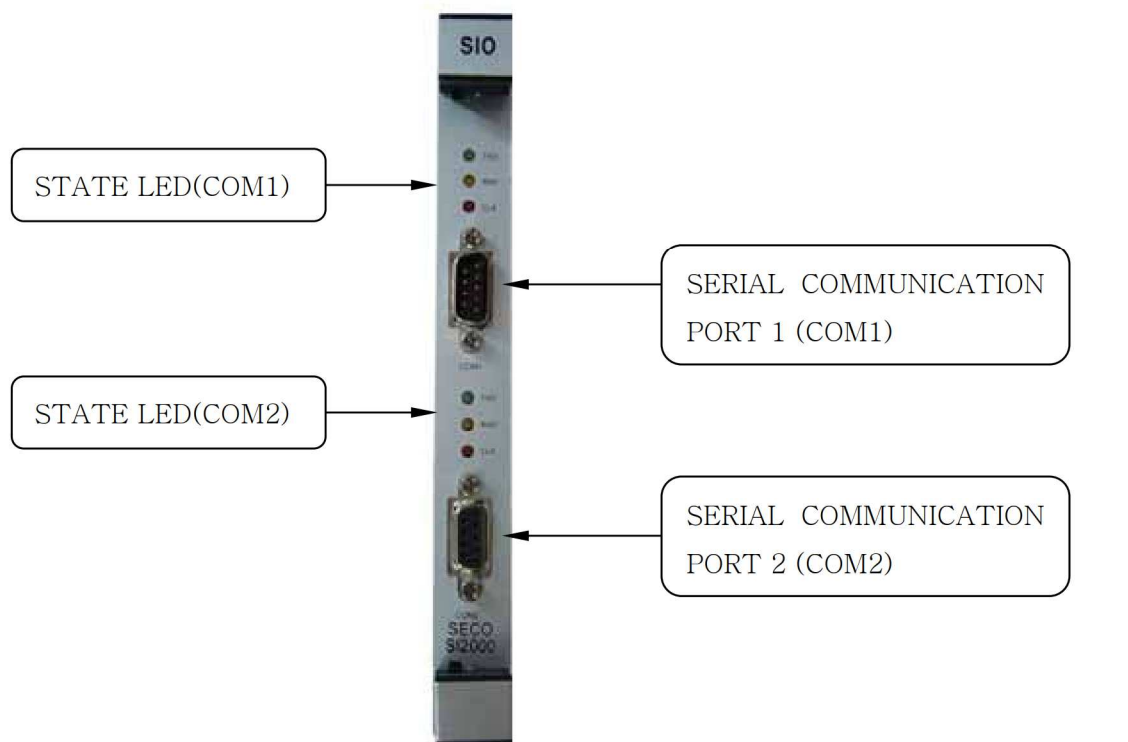


# SI CARD(SECO-SI2000)

SECO 2000Series

Model No. : SECO SI2000

## I . UNIT DESCRIPTION



## II. Specifications

Model: SECO SI2000

U.A.R.T : 16C550

2 Channels

Interface: RS232, RS422, RS485 Selectable

TXD, RXD, Baud rate Signal LED

## III. CONNECTION

### Serial Communication Port 1 (COM1)

#### Connector

- D-SUB, 9pins, Male, Right Angle

Pin No.	Description
1	TXD (RS232)
2	RXD (RS232)
3	TX+ (RS422)
4	TX-(RS422)
5	RX+ (RS422)
6	RX-(RS422)
7	TX/RX+ (RS485)
8	TX/RX-(RS485)
9	GND(RS232)

### Serial Communication Port 2 (COM2)

#### Connector

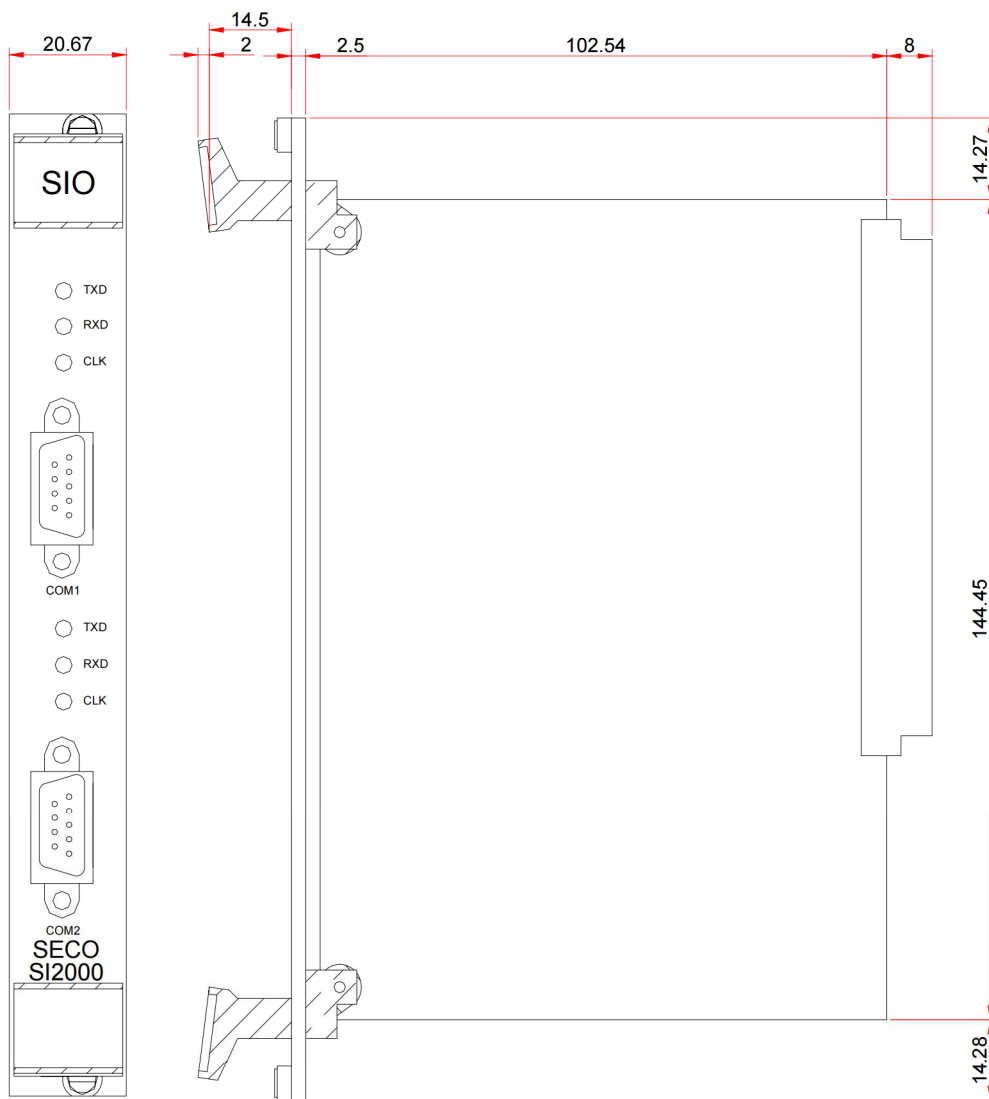
- D-SUB, 9pins, Female, Right Angle

Pin No.	Description
1	TXD (RS232)
2	RXD (RS232)
3	TX+ (RS422)
4	TX-(RS422)
5	RX+ (RS422)
6	RX-(RS422)
7	TX/RX+ (RS485)
8	TX/RX-(RS485)
9	GND(RS232)

# SI CARD(SECO-SI2000)

SECO 2000Series

## IV. UNIT DIMENSION



# SI CARD(SECO-SI2000)

SECO 2000Series

## V. Notes

SGHITEC	Address: 19, Namsan 4-gil, Gwangyang-si, Jeollanam-do, 57722, Korea
	Tel : (061)791-4475 Fax: (061)792-4024
URL	<a href="http://www.sgtec.org">http://www.sgtec.org</a>
E-mail	<a href="mailto:sgtec@sgtec.org">sgtec@sgtec.org</a>