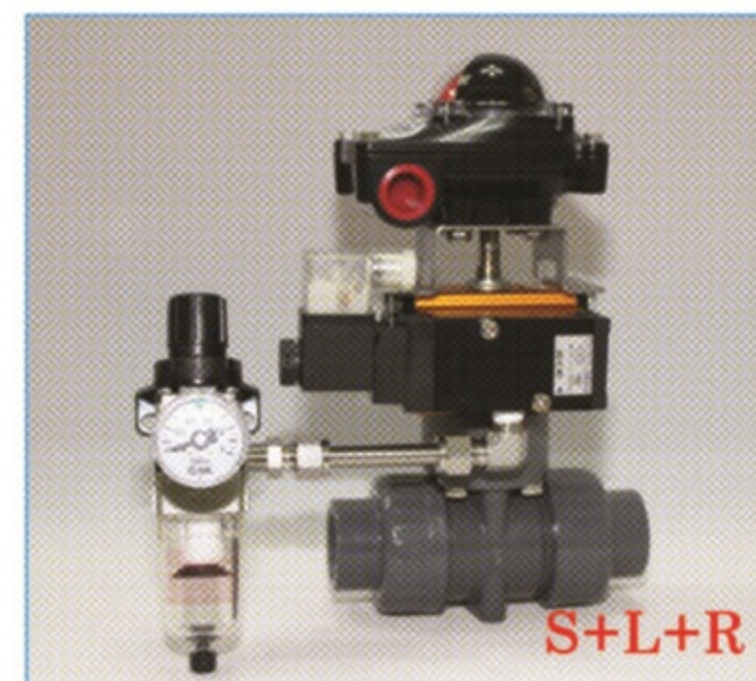
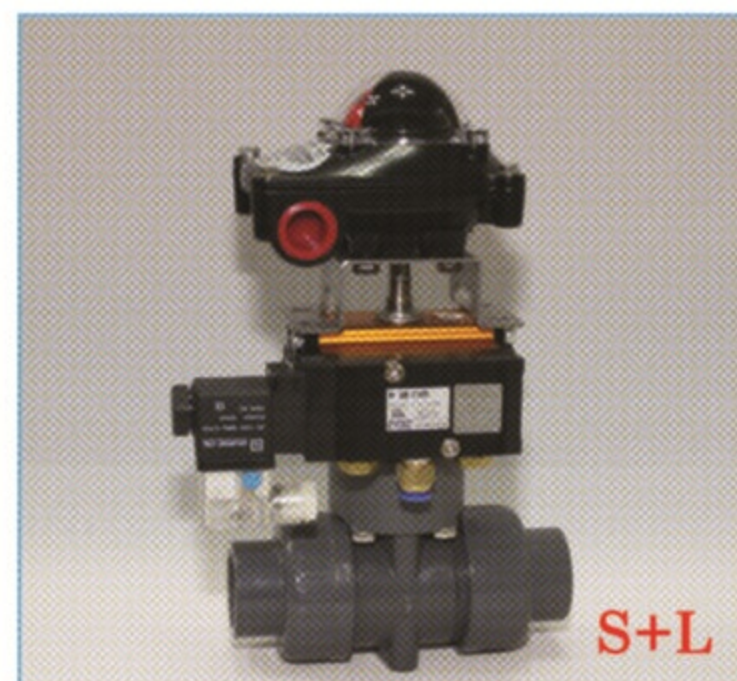
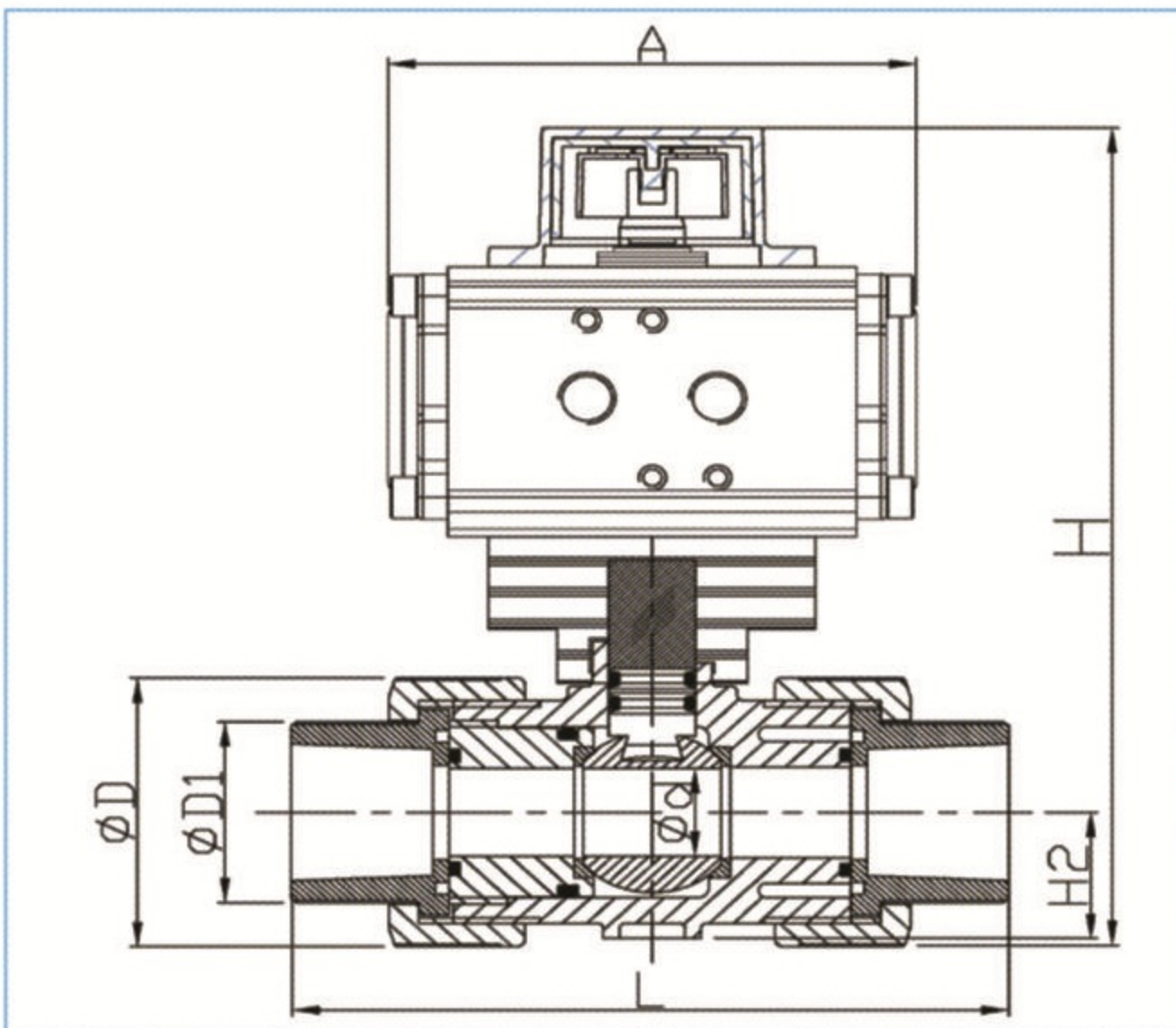


RS – 2Way PVC Series



SPECIFICATION

SIZE		Dimension							ISO5211	ACTUATOR	ASSEMBLY
inch	mm	Ød	L	H2	H	A	ØD	ØD1			
1/2"	15A	13	112	20.5	152	97	46.5	31	F03,F05	RS40	*Pressure Range : 10kg/cm <sup>2</sup> 이하 *Temperature : -10°C ~ 80°C 이하 *Seat Option : Standard : EPDM
3/4"	20A	18	132	26	183	133	55	37	F03,F05,F07	RS50	
1"	25A	23	144	33	199	133	66	44	F03,F05,F07	RS50	
1-1/4"	32A	30	167	38	230	154	82	54	F05,F07	RS65	
1-1/2"	40A	38	172	42	246	154	98	65	F05,F07	RS65	
2"	50A	48	206	53	277	314	120	79	F05,F07	AS65	

Fluid Temperature Range of Corrosion Resistance

Material	Fluid Temperature(°C)								Ranges of Corrosion Resistance							
	-40	-20	-10	60	90	100	105	120~140	Weak Acid	Strong Acid	Oxidative Acid	Mixed Acid	Weak Alkali	Strong Alkali	Organic Solvent	Erosive Gas
PVC	X	X	Δ	O	Δ	X	X	X	O	O	O	O	O	O	X	O
PP	X	O	O	O	O	Δ	X	X	O	O	Δ	Δ	O	O	Δ	O
PPG	X	O	O	O	O	O	O	O	O	O	O	O	O	O	O	O
C-PVC	X	O	O	O	O	X	X	X	O	O	O	O	O	O	O	O
PVDF	O	O	O	O	O	O	O	O	O	O	O	O	O	O	O	O

※ O : Usable Δ : According to Circumstances X : Disabled

APPLICATION

- Water & Chemical distribution pipes
- Corrosive fluid control lines
- Sea water, Chemical plant Line
- Chemical manufacturing facility
- Medical Equipments, Vacuum packing

ACTUATOR

- Actuator Type : Single Acting - Rack & Pinion Type - Scotch Yoke Type(50A)
- Operating Media : Compressed Dry Air
- Operating Pressure : 4.5 ~ 8kg/cm<sup>2</sup>
- Rotating Angle : 90°± 3°
- Temperature : -10°C ~ 90°C

VALVE

- Max Pressure : 0.98MPa(10kg/cm<sup>2</sup>)
- Max Temperature : 90°C
- End connection : 15A~50A , Double Union PT Female Screw
- Material : Valve Body-PVC, PP, C-PVC, PVDF

ACCESSORY

- S. Solenoid Valve
- R. Air Filter Regulator
- L. Limit Switch Box
- Speed controller
- One touch Fitting(6ø,8ø)
- E.P Positioner