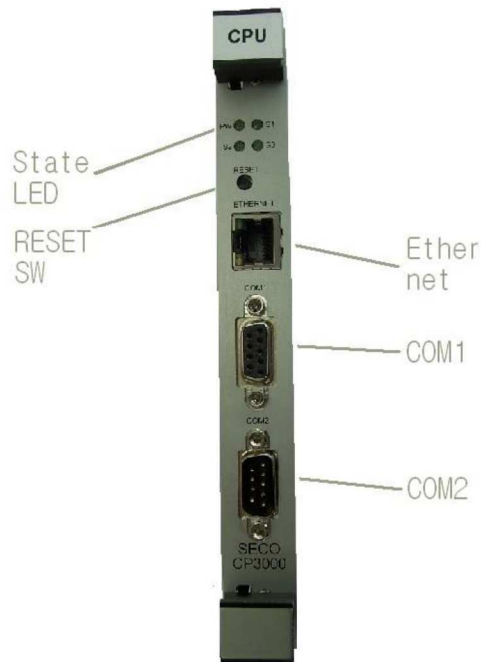


CPU CARD(SECO-CP3000)

SECO 3000Series

Model No. : SECO CP3000

I . UNIT DESCRIPTION



CPU CARD(SECO-CP3000)

SECO 3000Series

II. Specifications

Model: SECO CP3000

Processor: TMS320F2812

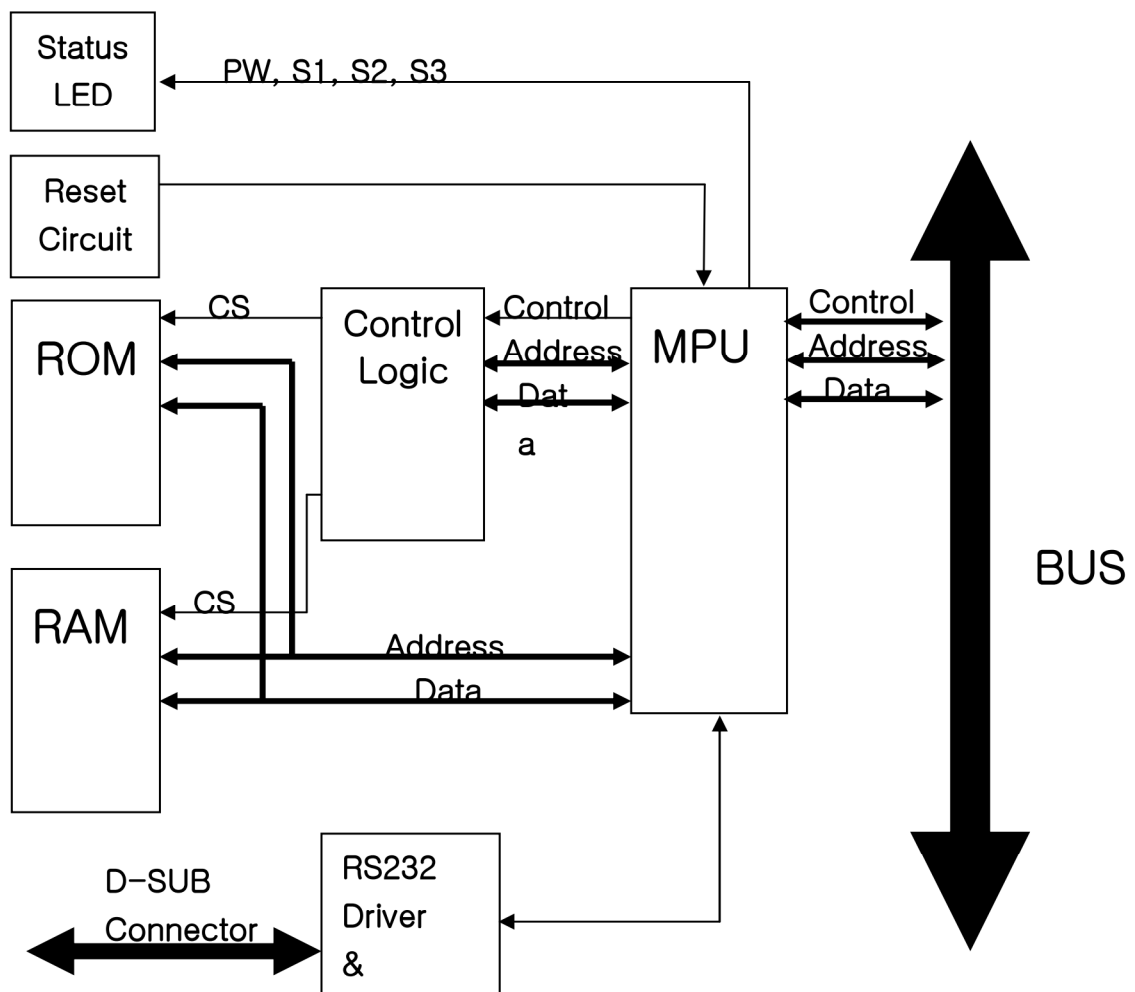
Speed: 150Mhz

Communication : 2 Channel UART (RS232, RS422, RS485 Selectable)

Ethernet

State LED: Power, State 1,2,3

III. Block Diagram



CPU CARD(SECO-CP3000)

SECO 3000Series

IV. STATE LED

PW Power On LED
전원이 투입되면 켜진다.

S1, S2, S3
동작 상태에 따라 3개의 LED가 조합된다.
Line에 따라 LED 상태 표시 조합은 달라진다.

V. CONNECTION(COM1, COM2)

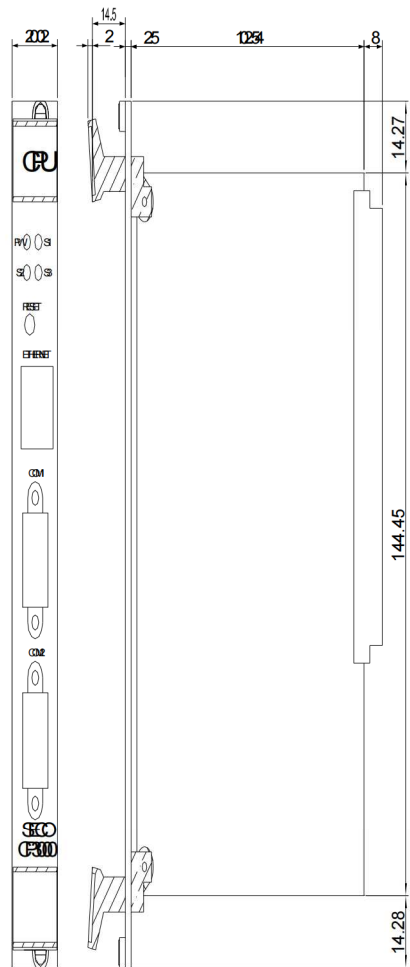
Connector: D-SUB, 9pins, Male, Right Angle

Pin No.	Description
1	TXD (RS232)
2	RXD (RS232)
3	GND (RS232)
4	TX+ (RS422), Not used
5	TX- (RS422), Not used
6	RX+ (RS422), Not used
7	RX- (RS422), Not used
8	+ 5V
9	GND

CPU CARD(SECO-CP3000)

SECO 3000Series

VI. UNIT DIMENSION



CPU CARD(SECO-CP3000)

SECO 3000Series

SGHITEC	Address: 19, Namsan 4-gil, Gwangyang-si, Jeollanam-do, 57722, Korea
	Tel : (061)791-4475 Fax: (061)792-4024
URL	http://www.sgtec.org
E-mail	sgtec@sgtec.org