

RD & AD-2Way(F) Series



APPLICATION

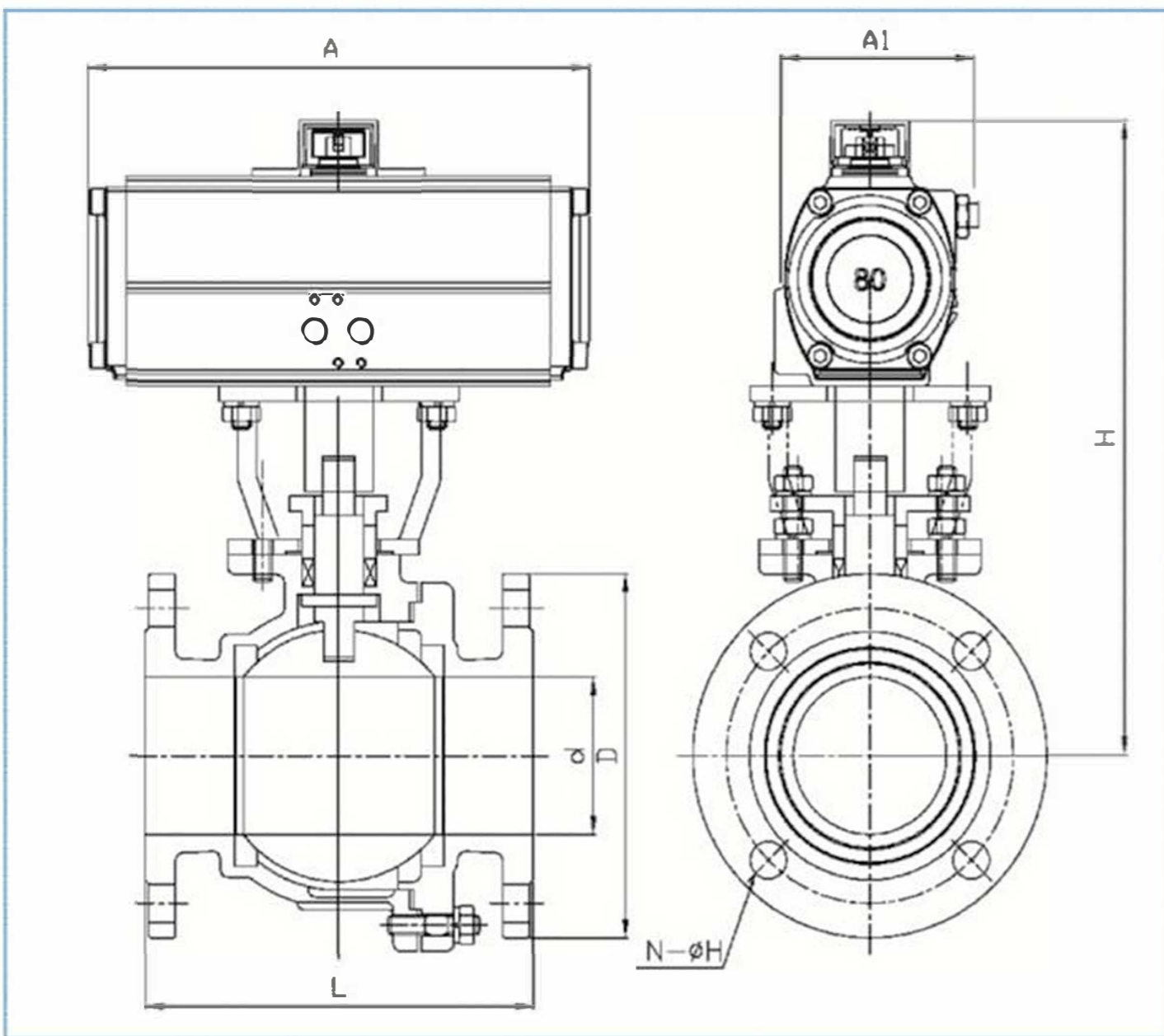
- Water distribution pipes
- Industrial cleaning machines
- Sterilizers, Boilers
- Air conditioners, Water filters
- Medical Equipments, Vacuum packing

ACTUATOR

- Actuator Type : Double Acting - Scotch yoke Type
- Rack & Pinion Type(15A~32A)
- Operating Media : Compressed Dry Air
- Operating Pressure : 4 ~ 7kg/cm²
- Rotating Angle : 90°± 3°
- Temperature : -10°C~ 90°C

VALVE

- Max Pressure : 0.98MPa(10kg/cm²)
- Max Temperature : 90°C
- End connection : KS B 2308 10K FLANGED BALL VALVE
- Material : FCD450/Body, S45C/Ball, PTFE/Seat
SCPH2/Body, SCS13A/Ball, RTFE/Seat
SCS13A/Body, SCS13A/Ball, RTFE/Seat
SCS14A/Body, SCS14A/Ball, RTFE/Seat



ACCESSORY

- **S.** Solenoid Valve
- **R.** Air Filter Regulator
- **L.** Limit Switch Box
- Speed controller
- One touch Fitting(6ø,8ø)
- E.P Positioner

SPECIFICATION

SIZE		Dimension								ACTUATOR	ASSEMBLY
inch	mm	Ød	L	H	A	A1	T	D	N-H		
1/2"	15A	15	108	197	133	75	12	95	4-15	RD50	* Pressure Range : 10kg/cm ² 이하
3/4"	20A	20	117	200	133	75	14	100	4-15	RD50	
1"	25A	25	127	226	154	89	14	125	4-15	RD65	
1-1/4"	32A	32	140	229	154	89	16	135	4-19	RD65	* Temperature : -10°C ~ 90°C 이하
1-1/2"	40A	40	165	251	220	89	16	140	4-19	RD80	
2"	50A	50	178	258	220	89	16	155	4-19	RD80	
2-1/4"	65A	65	190	288	223	101	18	175	4-19	RD90	* Seat Option : RTFE / CARBON / PEAK Standard : RTFE
3"	80A	80	203	328	302	101	18	185	8-19	RD115	
4"	100A	100	229	366	330	129	18	210	8-19	RD125	
5"	125A	125	356	424	390	151	20	250	8-23	AD125	
6"	150A	150	394	489	431	164	22	280	8-23	AD140	
8"	200A	200	457	599	506	188	22	330	12-23	AD160	