

## Solenoid Operated Directional Valves Max. Pressure 31.5 MPa

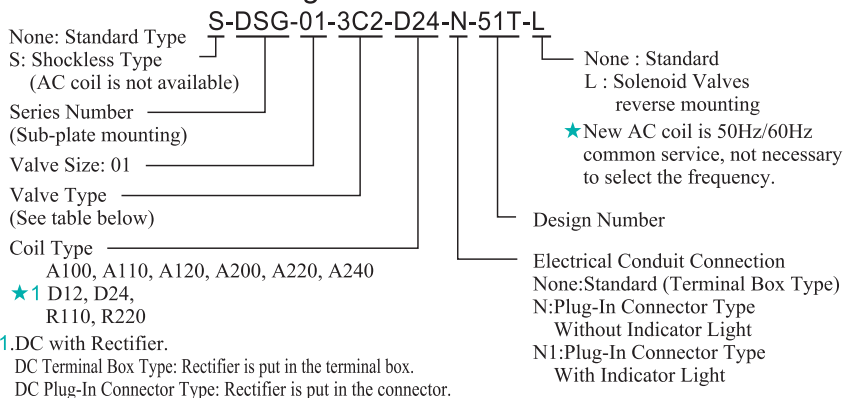
### DSG-01 Series

- These valves are adapted with strong wet-type solenoid and circuit designs to accomplish high pressure, large volume flow and lower pressure drop.
- The optimum valve for any system can be utilized since many spool types and various solenoids are all available, along with other optional function.

### Specifications

Valve Size	Model Number	Max. Flow L/min	Max. Pressure MPa (kgf/cm <sup>2</sup> )	Max. T-Line Back Pressure MPa (kgf/cm <sup>2</sup> )	Max. Changeover Frequency Cycle/min	Mass kg	
						AC	DC/R
1/8	(S-)DSG-01-3C*-*-51T	63	31.5 (321) Spool Type 60 only 25 (255)	16 ( 163 )	300 ( R Type only 120)	2.2	
	(S-)DSG-01-2D*-*-51T					2.2	
	(S-)DSG-01-2B*-*-51T					1.6	

### Model Number Designation



- AC coil is 50Hz/60Hz common service.
- The hydraulic specification and the mounting dimension are interchangeable.
- The current 50Hz/60Hz coil and the new design coil is interchangeable.
- CSA certified products are also available.

### Valve Type

Valve Type	3C2	3C3	3C4	3C40	3C60	3C12
Graphic Symbol						
Valve Type	2B2	2B3	2B8	2B2B	2D2	3C9
Graphic Symbol						

- Valves, other than the types above are available, please contact our sales engineer for your requirement.
- 2B2,2B3,2B8 & 2D2 type valves have no center position.

### Mounting Bolts (Attachment)

Socket Head Cap Screw	Tightening Torque
M5 x 45Lg 4pcs	5 ~ 7 N•m (Applicable to working pressure higher than 25 MPa) 6 ~ 7 N•m

### Sub-plate

Valve Model No.	Sub-plate Model No.	Piping Size Rc	Mass kg
DSG-01	DSGM-01-30	1/8	0.8
	DSGM-01X-30	1/4	
	DSGM-01Y-30	3/8	

- \* Sub-plates are available. When ordering, please specify sub-plate model no. from the table above.
- \* Please refer to page 88 for dimension details,

### Solenoid Rating

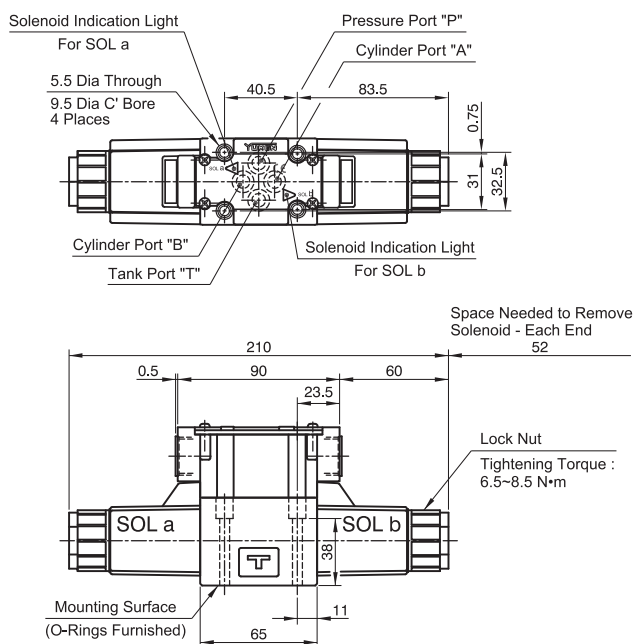
Electric Source	Source Rating (V)	Coil Type	Serviceable Voltage Range		Current & Power at Rated Voltage		
			Frequency (Hz)	Voltage (V)	Inrush (A)	Holding (A)	Power (W)
AC	100	A100	50	80-110	2.33	0.51	24
			60	90-120	2.07	0.38	20
	110	A110	50	88-121	2.14	0.48	24
			60	99-132	1.91	0.36	20
	120	A120	50	96-132	1.87	0.44	24
			60	108-144	1.76	0.33	20
	200	A200	50	160-220	1.18	0.27	24
			60	180-240	1.04	0.20	20
	220	A220	50	176-242	1.06	0.24	24
			60	189-264	0.95	0.18	20
	240	A240	50	192-264	0.97	0.22	24
			60	216-288	0.86	0.16	20
DC	12	D12	-	10.8-13.2	-	2.2	26
	24	D24	-	21.6-26.4	-	1.1	26
AC→DC	110	R110	-	100-120	-	0.30	31
	220	R220	-	200-240	-	0.14	30

There are other coil types available, please contact our sales engineers for your requirement.

## Solenoid Operated Directional Valves Max. Pressure 31.5 MPa

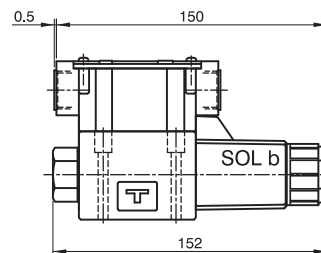
### Models with AC Solenoids DSG-01-※-A※-

- Spring Centered DSG-01-3C※-A※-
- No-Spring Detented DSG-01-2D※-A※-

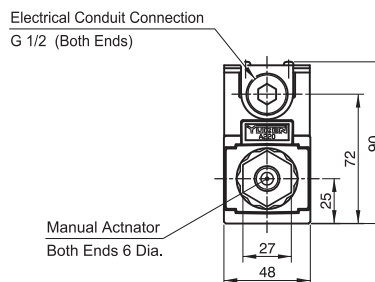


Mounting Surface : ISO 4401-03-02-0-94

- Spring Offset : DSG-01-2B※※-A※-



For other dimensions, please refer to the left diagram. Alternative models using solenoid \*a\* are also available.

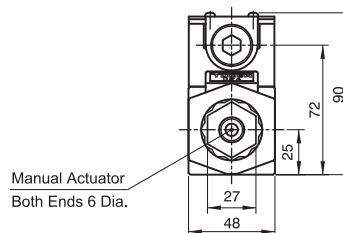
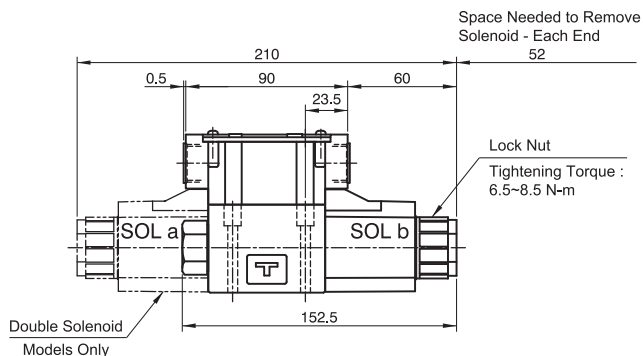


- New AC coil showed voltage only, without the frequency.

### Models with DC Solenoids (S-)DSG-01-※-D※- Models with R Solenoids (S-)DSG-01-※-R※-

- Spring Centered (S-)DSG-01-3C※-D※/R※-
- No-Spring Detented (S-)DSG-01-2D※-D※/R※-
- Spring Offset (S-)DSG-01-2B※※-D※/R※-

Mounting Surface : ISO 4401-03-02-0-94



- For other dimensions, please refer to Model with AC solenoids.

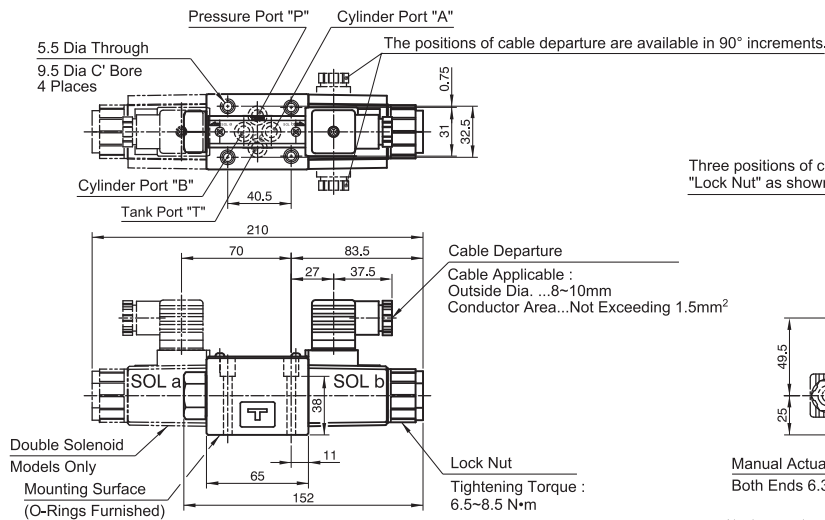
## Solenoid Operated Directional Valves Max. Pressure 31.5 MPa

DIN Connector type, DIN Connector Type with Indicator Light

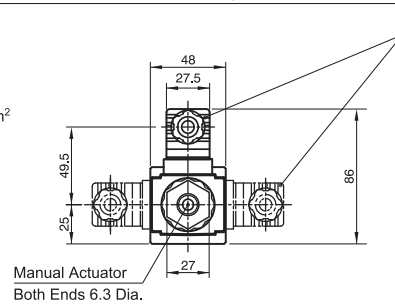
Mounting Surface : ISO 4401-03-02-0-94

Models with AC Solenoids DSG-01-※-A※-N/N1-

- Spring Centered DSG-01-3C※-A※-N/N1-
- No-Spring Detented DSG-01-2D※-A※-N/N1-
- Spring Offset DSG-01-2B※※-A※-N/N1-



Three positions of cable departures are available by loosening "Lock Nut" as shown. After location, tighten "Lock Nut".

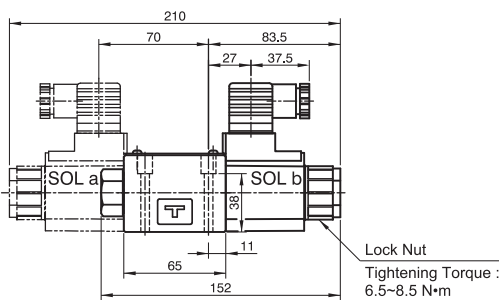


- New AC coil showed voltage only, without the frequency.

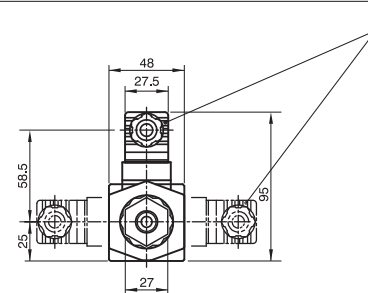
Models with DC Solenoids (S-)DSG-01-※-D※-N/N1-  
 Models with R Solenoids (S-)DSG-01-※-R※-N/N1-

Mounting Surface : ISO 4401-03-02-0-94

- Spring Centered (S-)DSG-01-3C※-D※/R※-N/N1-
- No-Spring Detented (S-)DSG-01-2D※-D※/R※-N/N1-
- Spring Offset (S-)DSG-01-2B※-D※/R※-N/N1-



The connector can be moved to various position by loosening the "Lock Nut". After location, tighten "Lock Nut".



- For other dimensions, please refer to Terminal Box Type (page 87).

Sub-plate : DSGM-01, 01X, 01Y

Model No.	D
DSGM-01-30	1/8
DSGM-01X-30	1/4
DSGM-01Y-30	3/8

