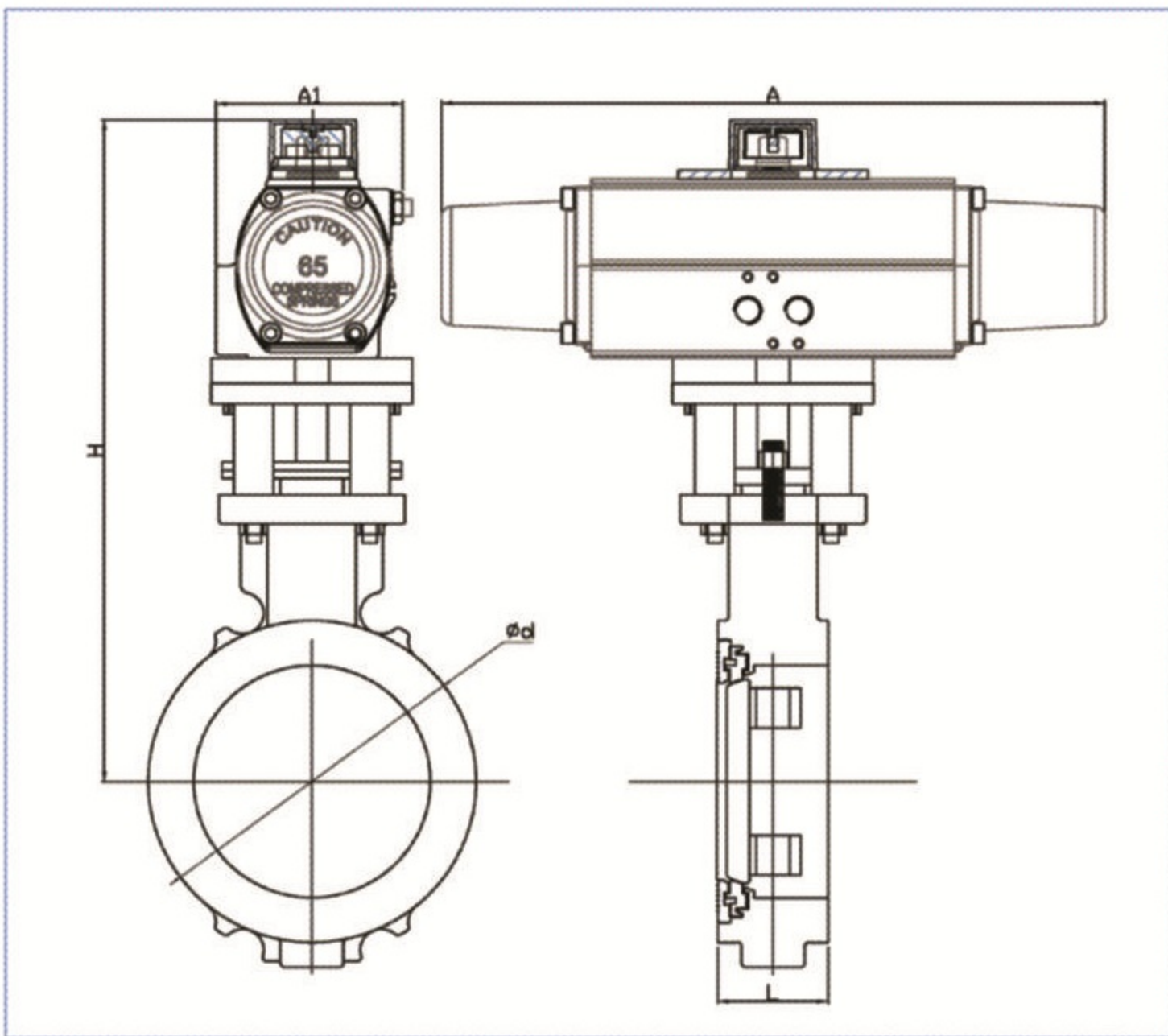


RS & AS – HPBF Series



APPLICATION

- Steam Header Line
- Sterilizers, Boilers, Steam Line
- High-temperature exhaust gas
- Medical Equipments, High-temperature steam plants
- High-temperature Steam & Gas Line

ACTUATOR

- Actuator Type : Single Acting - Scotch yoke Type
- Operating Media : Compressed Dry Air
- Operating Pressure : 5 ~ 8kg/cm<sup>2</sup>
- Rotating Angle : 90° ± 3°
- Fluid Temperature : -10°C ~ 90°C

VALVE

- Material : Body - Ductile Iron / Stainless Steel / Special  
SEAT - PTFE(-20°C ~ 160°C) / RTFE(-20°C ~ 180°C)  
MTFE(-20°C ~ 195°C) / PEEK(-20°C ~ 220°C)  
METAL(-20°C ~ 300°C)
- End connection Rating JIS10, 20, ANSI 150#, DIN10, 16



ACCESSORY

- **S.** Solenoid Valve
- **R.** Air Filter Regulator
- **L.** Limit Switch Box
- Speed controller
- One touch Fitting(6ø,8ø)
- E.P Positioner

SPECIFICATION

| SIZE   |         | Dimension |     |     |       |    |     | Flange Centring | ISO5211 | ACTUATOR | ASSEMBLY   |
|--------|---------|-----------|-----|-----|-------|----|-----|-----------------|---------|----------|--|
| inch   | mm      | A         | A1  | H   | PAD H | L  | Ød  |                 |         |          |  |
| 1-1/2" | 32A/40A | 314       | 89  | 243 | 12    | 38 | 36  | 105             | F05     | AS65     | * JIS 10K WAFER<br>Option-PN 10/16, ANSI150LB<br>* Pressure Range :<br>10kg/cm <sup>2</sup> 이하<br>* Temperature :<br>-10°C ~ 80°C 이하<br>* Seat Option :<br>MTFE / PEEK / METAL |
| 2"     | 50A     | 314       | 89  | 276 | 12    | 44 | 43  | 120             | F05     | AS65     |  |
| 2-1/2" | 65A     | 314       | 89  | 286 | 12    | 44 | 60  | 140             | F05     | AS65     |  |
| 3"     | 80A     | 430       | 101 | 320 | 16    | 44 | 74  | 150             | F07     | AS80     |  |
| 4"     | 100A    | 430       | 101 | 340 | 16    | 52 | 93  | 175             | F07     | AS80     |  |
| 5"     | 125A    | 500       | 129 | 384 | 16    | 62 | 119 | 210             | F07     | AS100    |  |
| 6"     | 150A    | 500       | 129 | 404 | 16    | 62 | 143 | 240             | F07     | AS100    |  |
| 8"     | 200A    | 606       | 151 | 405 | 20    | 74 | 188 | 290             | F10     | AS125    |  |
| 10"    | 250A    | 682       | 164 | 483 | 20    | 93 | 243 | 355             | F10     | AS140    |  |
| 12"    | 300A    | 781       | 188 | 557 | 30    | 99 | 290 | 400             | F12     | AS160    |  |

\*\*FCD Body Butterfly Valve 기준 치수입니다. 재질변경에 따른 밸브측 기준 치수가 변경 될수도 있습니다. \*\*