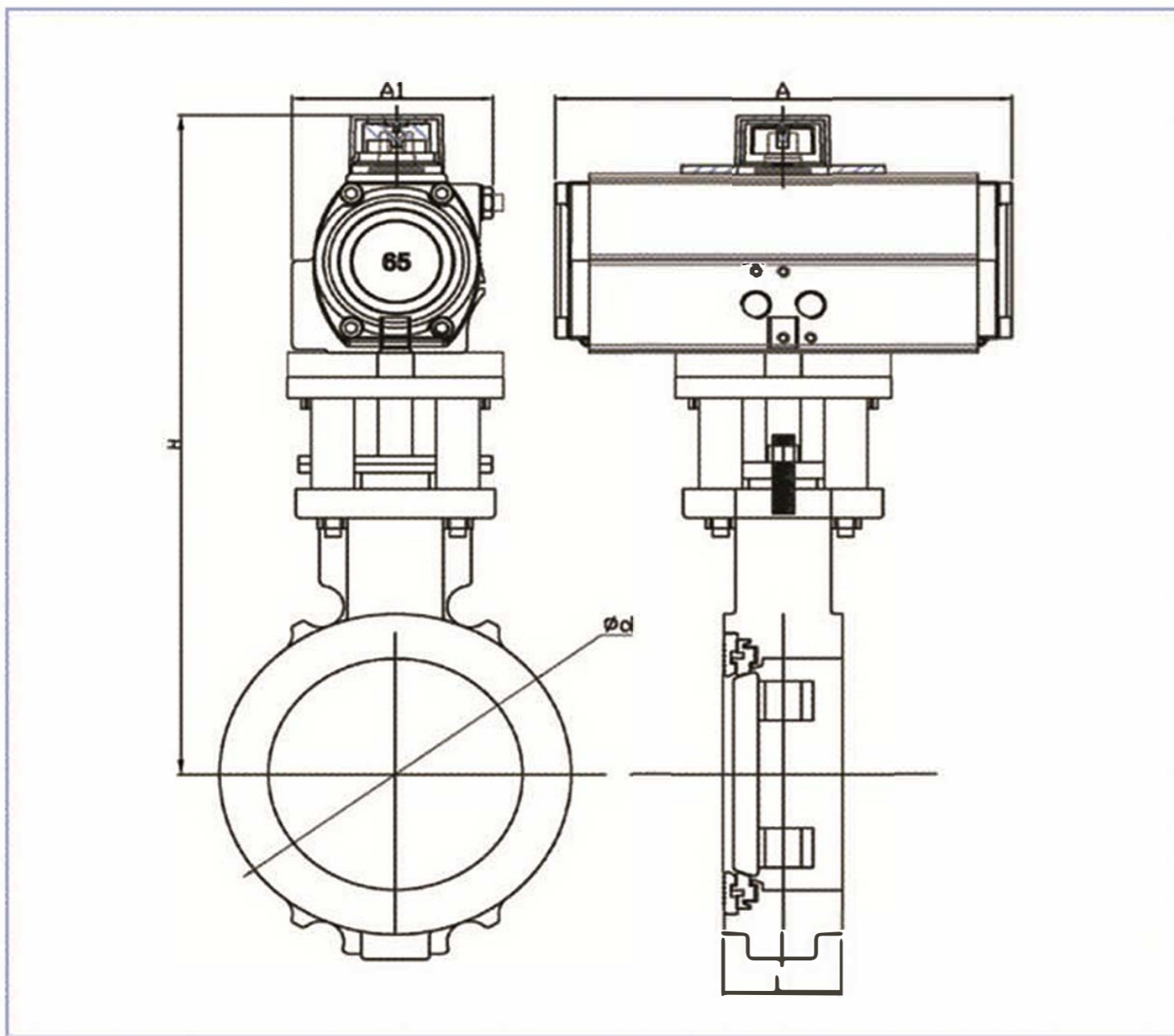


RD & AD – HPBF Series



APPLICATION

- Steam Header Line
- Sterilizers, Boilers, Steam Line
- High-temperature exhaust gas
- Medical Equipments, High-temperature steam plants
- High-temperature Steam & Gas Line

ACTUATOR

- Actuator Type : Double Acting - Scotch yoke Type
- Rack & Pinion Type(40A~50A)
- Operating Media : Compressed Dry Air
- Operating Pressure : 4.5 ~ 8kg/cm²
- Rotating Angle : 90° ± 3°
- Fluid Temperature : -10°C ~ 90°C

VALVE

- Material : Body - Ductile Iron / Stainless Steel / Special
SEAT - PTFE(-20°C ~ 160°C) / RTFE(-20°C ~ 180°C)
MTFE(-20°C ~ 195°C) / PEEK(-20°C ~ 220°C)
METAL(-20°C ~ 300°C)
- End connection Rating JIS10, 20, ANSI 150#, DIN10, 16

ACCESSORY

- **S.** Solenoid Valve
- **R.** Air Filter Regulator
- **L.** Limit Switch Box
- Speed controller
- One touch Fitting(6ø,8ø)
- E.P Positioner

SPECIFICATION

SIZE		Dimension						Flange Centring	ISO5211	ACTUATOR	ASSEMBLY
inch	mm	A	A1	H	PAD H	L	Ød				
1-1/2"	32A/40A	154	89	242	12	38	36	105	F05	RD65	* JIS 10K WAFER Option-PN 10/16, ANSI150LB
2"	50A	154	89	275	12	44	43	120	F05	RD65	
2-1/2"	65A	202	89	286	12	44	60	140	F05	AD65	* Pressure Range : 10kg/cm ² 이하
3"	80A	202	89	301	16	44	74	150	F07	AD65	
4"	100A	202	89	321	16	52	93	175	F07	AD65	* Temperature : -10°C ~ 80°C 이하
5"	125A	262	101	362	16	62	119	210	F07	AD80	
6"	150A	262	101	382	16	62	143	240	F07	AD80	* Seat Option : MTFE / PEEK / METAL
8"	200A	311	129	379	20	74	188	290	F10	AD100	
10"	250A	390	151	465	20	93	243	355	F10	AD125	
12"	300A	431	164	533	30	99	290	400	F12	AD140	

**FCD Body Butterfly Valve 기준 치수입니다. 재질변경에 따른 밸브측 기준 치수가 변경 될수도 있습니다. **