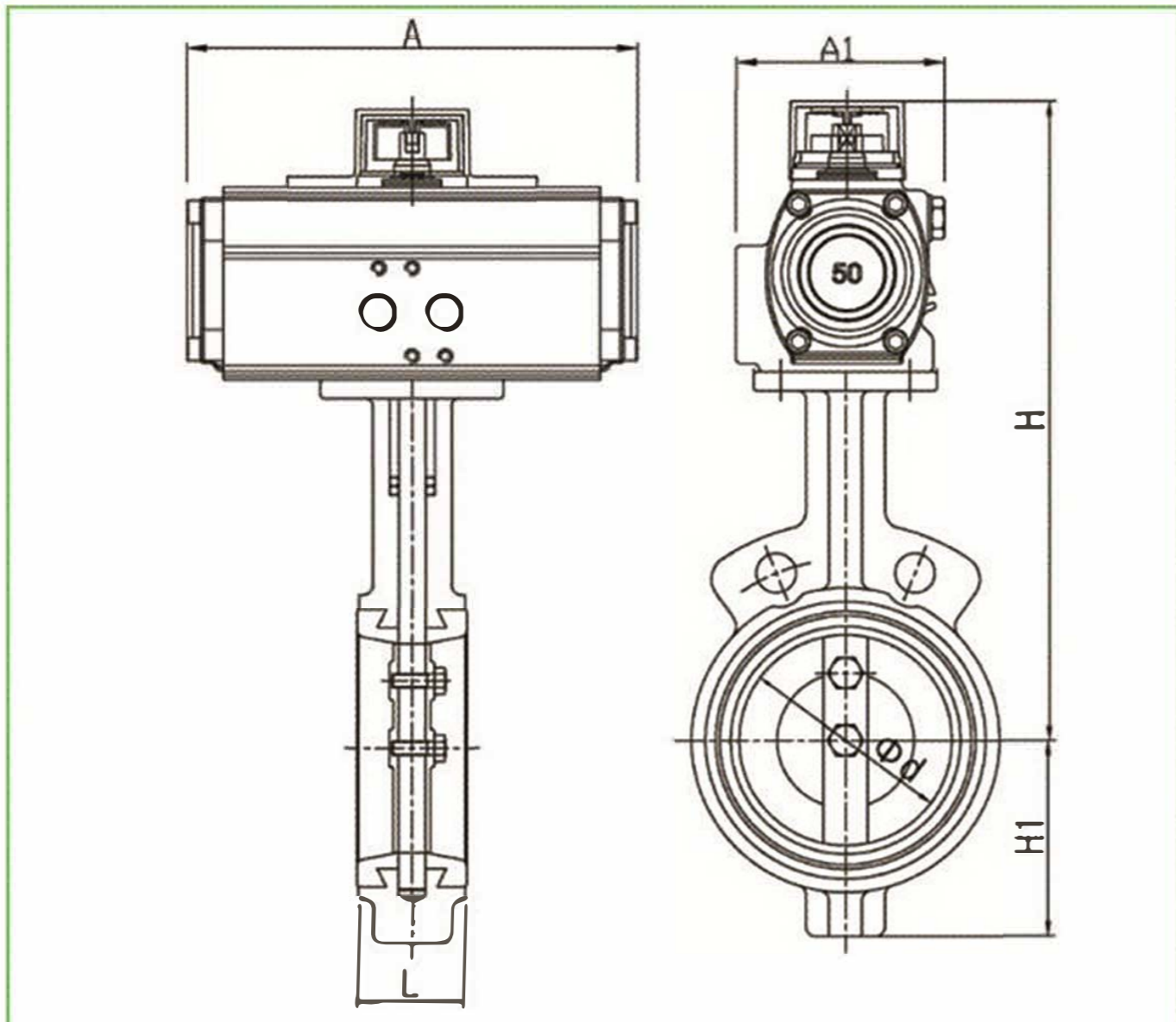


RD & AD – Butterfly Series



SPECIFICATION

SIZE		Dimension						Flange Centring	ISO5211	ACTUATOR	ASSEMBLY
inch	mm	A	A1	H	H1	L	Ød				
1-1/2"	40A	133	75	219	54	40	40	105	F07	RD50	* JIS 10K WAFER Option-PN 10/16, ANSI150LB * Pressure Range : 10kg/cm ² 이하 * Temperature : -10°C ~ 90°C 이하 * Seat Option : RTEE / PTFE Standard : EPDM * Body Painting : I Color : Traffic Blue II Powder Coating : RAL5017 III Thickness(finish coat) 75~100microns
2"	50A	154	89	245	68	43	52	120	F07	RD65	
2-1/2"	65A	154	89	253	77	46	64	140	F07	RD65	
3"	80A	220	101	292	84	46	76	150	F07	RD80	
4"	100A	220	101	305	105	52	101	175	F07	RD80	
5"	125A	223	104	321	120	56	126	210	F07	RD90	
6"	150A	256	132	335	135	56	149	240	F07	RD100	
8"	200A	330	151	394	183	60	196	290	F07	RD125	
10"	250A	311	129	443	223	68	244	355	F10	AD100	
12"	300A	390	151	497	255	78	294	400	F10	AD125	
14"	350A	431	164	541	280	78	333	445	F10	AD140	
16"	400A	506	188	603	310	102	384	510	F14	AD160	
18"	450A	506	188	625	350	114	435	565	F14	AD160	
20"	500A	605	231	733	384	127	485	620	F16	AD210	

**FC Body Butterfly Valve 기준 치수입니다. 재질변경에 따른 밸브측 기준 치수가 변경 될수도 있습니다. **

APPLICATION

- Water distribution pipes
- Industrial cleaning machines
- Sterilizers, Boilers
- Air conditioners, Water filters
- Medical Equipments, Vacuum packing

ACTUATOR

- Actuator Type : Double Acting - Scotch yoke Type
- Rack & Pinion Type (40A~100A)
- Operating Media : Compressed Dry Air
- Operating Pressure : 4 ~ 7kg/cm²
- Rotating Angle : 90°± 3°
- Fluid Temperature : -10°C ~ 90°C

VALVE

- Material : Cast Iron / Stainless steel / Aluminum

Working pressure	Maximum permissible working pressure kgf/cm ²	Temperature°C	Elastomer
10K	10	0 ~ 70	NBR
		0 ~ 80	EPDM
	7	100 and Below	

ACCESSORY

- S. Solenoid Valve
- R. Air Filter Regulator
- L. Limit Switch Box
- Speed controller
- One touch Fitting(6Ø,8Ø)
- E.P Positioner